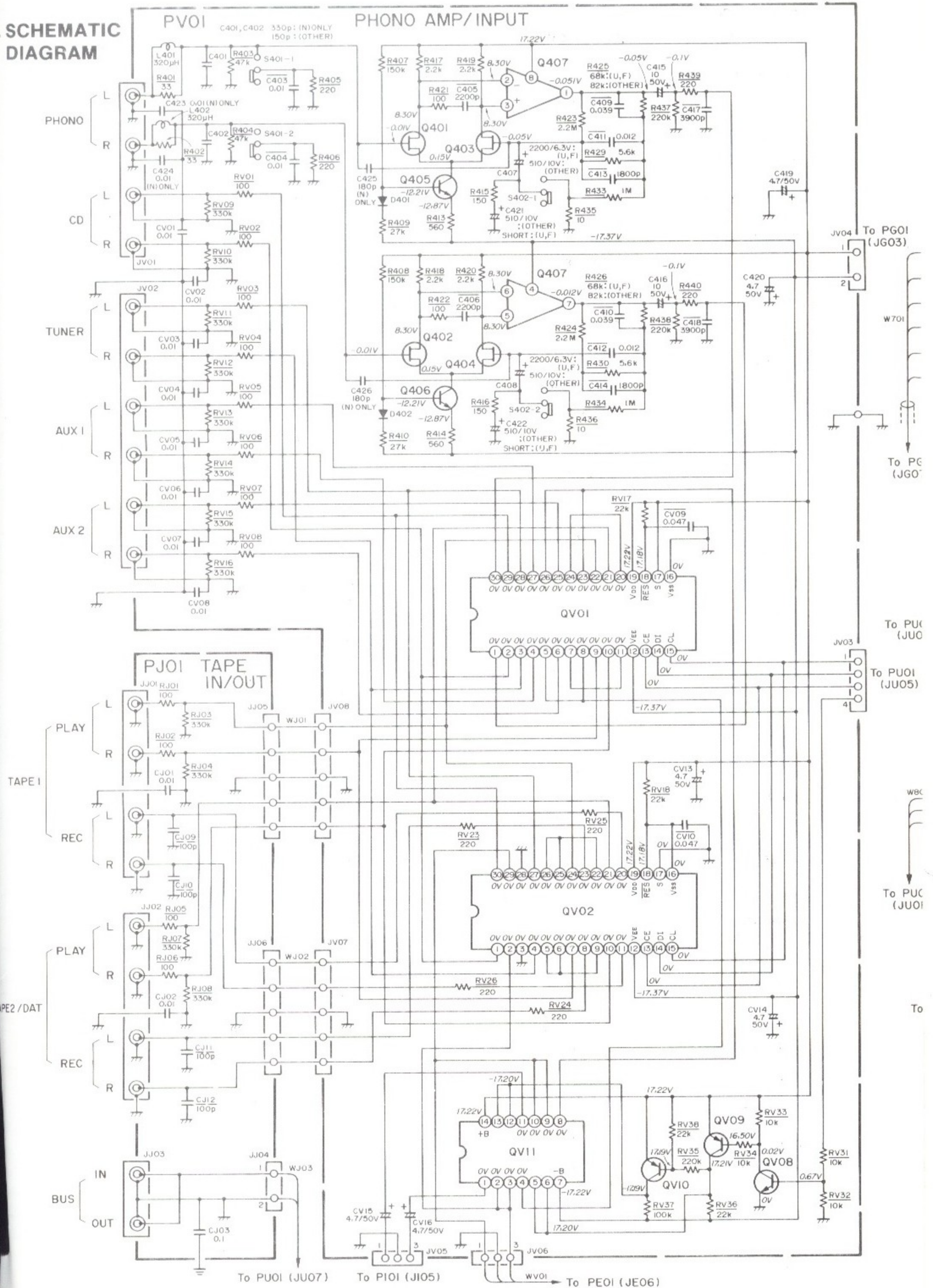


1. SCHEMATIC DIAGRAM



PU01 μ -COM.

